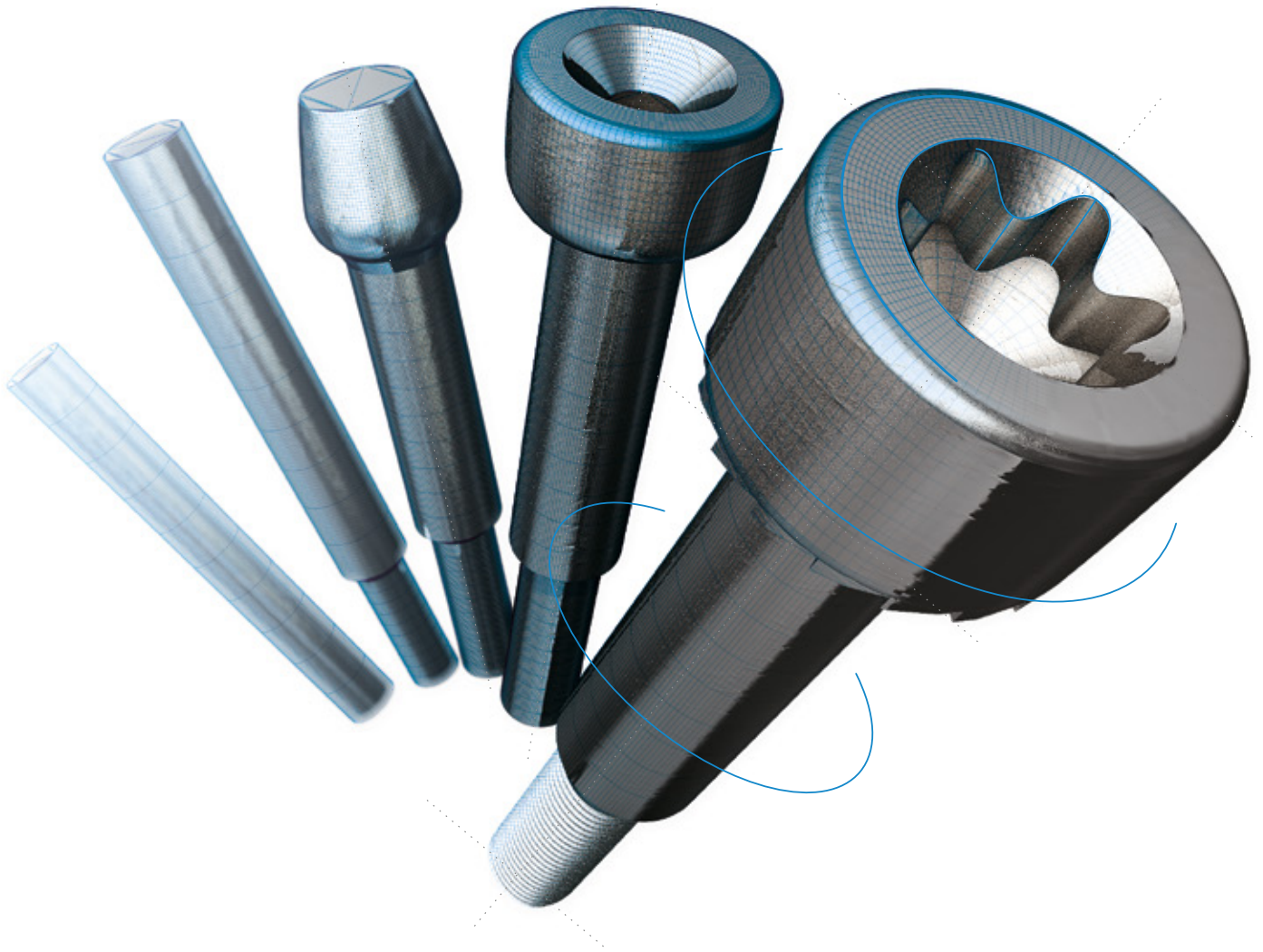




LEONIX
fasteners

stainless steel specialist



EXTRAORDINARY
IS OUR FOCUS

CORE BUSINESS

Leonix Fasteners is an experienced company specialized in the cold forming of high quality screws and bolts in stainless steel and special alloys produced to customer's specification. Leonix Fasteners was founded in 2009 and over the years has become a significant reference point in its sector on an European level.

Leonix Fasteners è specializzata nello stampaggio a freddo di viteria e bulloneria a disegno ed extra di gamma in acciaio inossidabile e leghe speciali. Leonix nasce nel 2009 ed è ora considerata tra i principali fornitori di riferimento a livello europeo nel proprio settore.

KNOW HOW

The know-how available to Leonix is reflected in the carefully selected machinery in the production area which includes also a modern mechanical workshop.

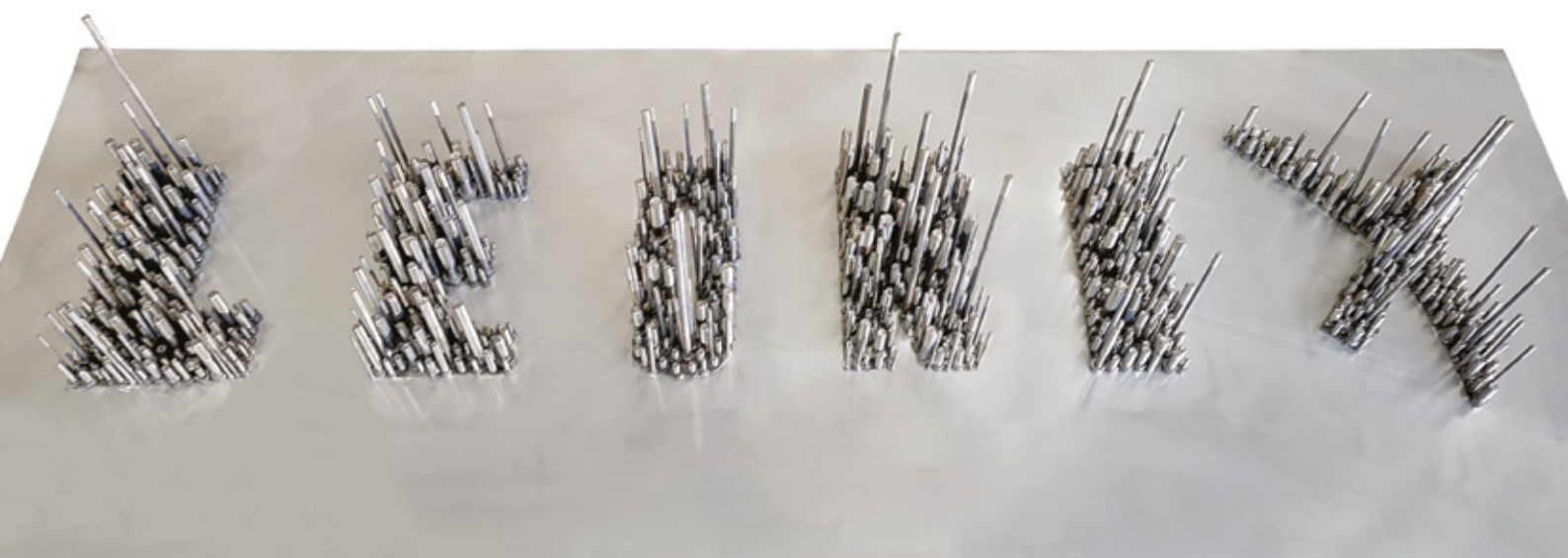
Care and attention to details, a consolidated knowledge of the sector and flexibility of production are the strengths of Leonix, constantly engaged in the implementation of new technologies according to the developments typical of industry 4.0.

Il know how in dotazione trova riscontro nell'attenta selezione dei macchinari e delle attrezzature presenti nell'area produttiva che include un'officina meccanica modernamente organizzata. Cura e attenzione ai particolari, consolidate conoscenze del settore e flessibilità produttive sono i punti di forza dell'azienda che è costantemente impegnata nell'implementazione di nuove tecnologie secondo le direttrici tipiche dell'industria 4.0.

MARKET SECTORS

At present Leonix exports the majority of its production, Main market sectors are: mechanical, building, petrochemical, nuclear, automotive, food industry and all those applications where there is the need to withstand specific environment agents.

Attualmente Leonix esporta la maggior parte della propria produzione ed i principali settori di applicazione sono: metalmeccanico, edilizio, petrolchimico, nucleare, automobilistico, alimentare e ovunque venga richiesta una resistenza particolare alla corrosione ambientale o chimica.



5000 sq.m.

dedicated to production
in Chiuduno (BG) Italy

Cold forming department with machines up to

5 **work stations equipped**

with a dedicated software for on-line controls

1

In-house modern organized mechanical workshop

to guarantee efficiency in terms of tooling times



Raw material warehouse with a stock of main nuances



Threading and rolling department



Department of machining of the parts (turning, bevelling)



washing and polishing department



Packaging and shipping department



In house laboratory for quality controls in all process stages

5000 mq.

destinati alla produzione
a Chiuduno (BG) Italy

Reparto stampaggio a freddo con macchine

5 **stazioni di lavoro**

collegate al software gestionale di controllo

1

Officina meccanica interna modernamente organizzata

per garantire l'efficienza in termini di tempi di attrezzaggio



Magazzino materia prima con uno stock delle principali qualità



Reparto di rullatura e filettatura



Reparto per la ripresa dei pezzi (tornitura, smussatura)



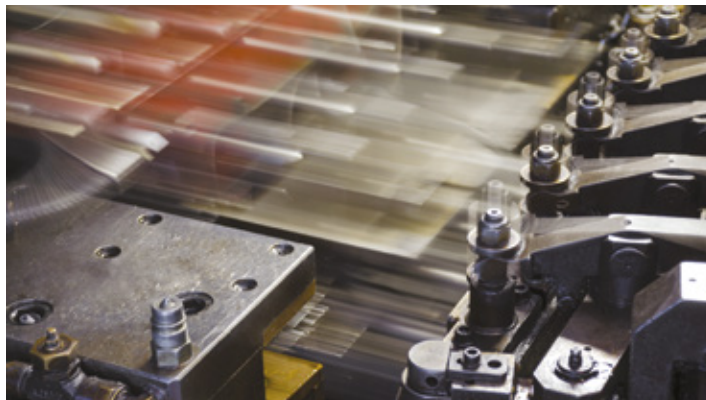
Reparto lavaggio e brillantatura



Reparto confezionamento e spedizione



Laboratorio attrezzato per i controlli in tutte le fasi produttive



QUALITY

ISO 9001:2015

Leonix Fasteners having an ISO 9001:2015 certified management system right from the first year of business shows the great role given to “product quality” and “quality system”.

ISO 9001:2015

Leonix Fasteners ha ottenuto il certificato ISO 9001 sin dal suo primo anno di attività a dimostrazione dell'estrema importanza che pone ai temi “qualità prodotto” e “sistema qualità”.

Laboratory

The in house metrological laboratory is equipped with the most modern control devices to inspect incoming raw materials and tools and to make all necessary controls on screws in all production stages, from cold forming to final inspection.

Il laboratorio metrologico interno dispone di tutti i più moderni strumenti per verificare la materia prima e le attrezzature in entrata e per effettuare tutti i controlli necessari sulle viti sia in fase di stampaggio che in fase di controllo finale.

DIMENSIONAL CONTROLS ON SIZES AND GEOMETRIC TOLERANCES

1. Machine for the rotational analysis of the pieces with optical readout.
2. Hardness testers, feeler gauges, roughness meters, micrometers, gauges, projectors, mechanical comparators etc..

CONTROLLI DIMENSIONALI GRANDEZZE E TOLLERANZE GEOMETRICHE

1. Macchina per analisi rotazionale dei pezzi a lettura ottica.
2. Durometri, spessimetri, rugosimetri, micrometri, calibri, proiettori, comparatori meccanici etc..

DESTRUCTIVE TESTS

Dynamometer. These tests are performed on every single production batch according to international standards or customer's specifications.

PROVE DISTRUTTIVE

Dinamometro. Le prove vengono realizzate su ogni singolo lotto di produzione in base alle norme internazionali o alle specifiche del cliente.

CHEMICAL ANALYSIS

Niton Thermoscientific XRF for incoming wire rod inspection.

ANALISI CHIMICHE

Niton Thermoscientific XRF per il controllo della vergella in entrata.

OUTSOURCING

1. Tests that are not performed in Leonix can be outsourced, requesting the assistance of external accredited laboratories.
2. Automatic pieces sorting.

OUTSOURCING

1. Eventuali altri test possono essere forniti tramite laboratori esterni accreditati con i quali collaboriamo.
2. Selezione automatica pezzi.



TRACEABILITY

Traceability is guaranteed for all incoming wire rods, tools, and for every single production batch.

TRACCIABILITÀ

E' garantita per tutta la vergella in entrata, per tutte le attrezzature e per ogni singolo lotto di vite prodotto.

CONFORMITY

ROHS and REACH.

CONFORMITÀ

ROHS e REACH

STAFF

Leonix complies with health and safety standards in order to protect the welfare of its team. Leonix directs its efforts to the growth of the professional competence of its team and boost active attendance.

PERSONALE

Rispetto dei criteri e delle norme di sicurezza a tutela della salute dei dipendenti. Attenzione alla crescita delle competenze professionali delle risorse umane incentivando alla partecipazione attiva.

SUPPLIERS

Leonix selects only reliable and qualified suppliers.

FORNITORI

Leonix collabora esclusivamente con fornitori affidabili e qualificati.

ECO-FRIENDLY

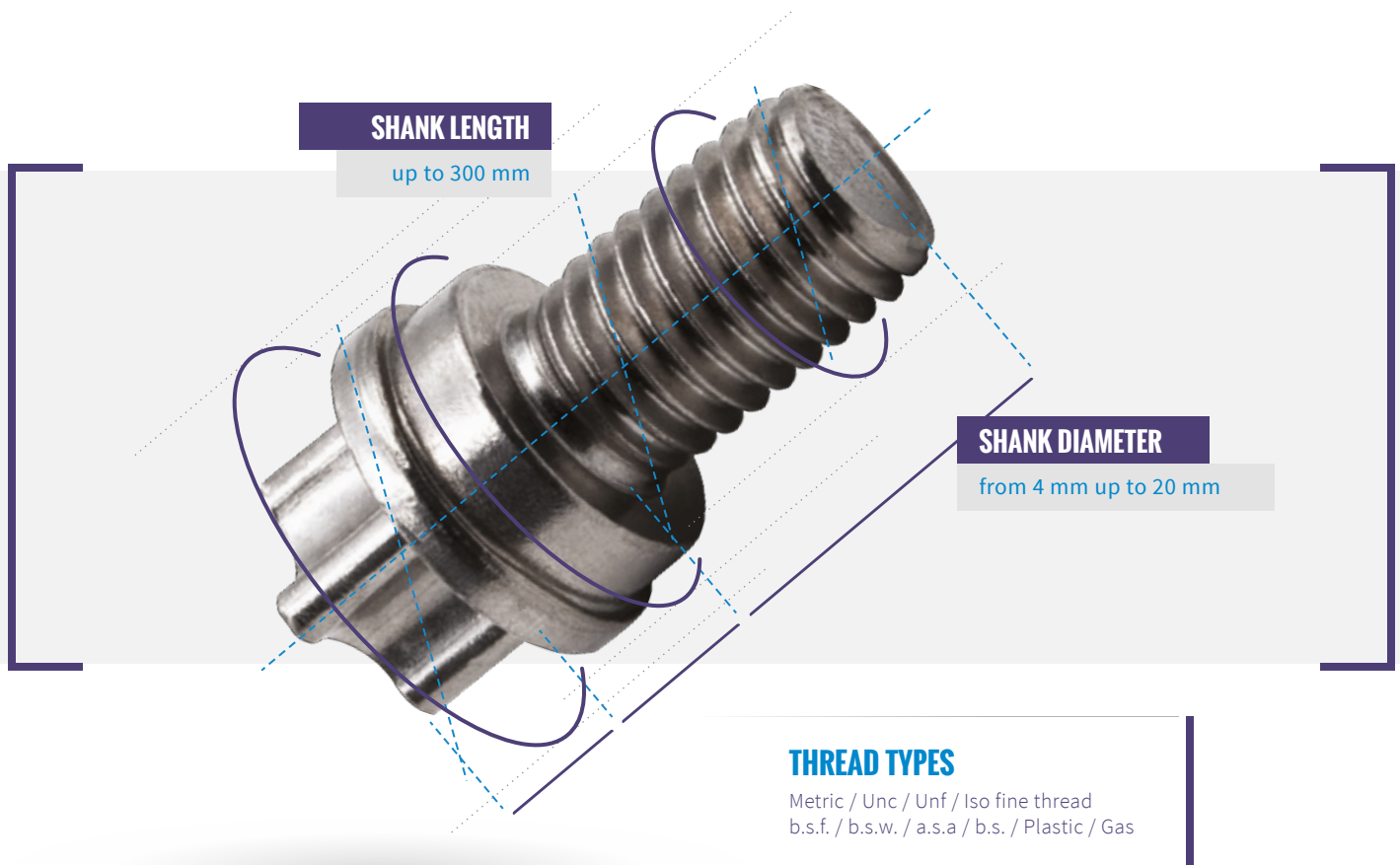
Leonix constantly invests and innovates to produce according to the most environmentally friendly models.

ECO-FRIENDLY

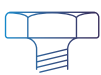
Leonix investe e si rinnova costantemente per produrre con il minor impatto ambientale possibile.

CUSTOMIZED SCREWS ACCORDING DRAWING

This family represents the core business of our production. Screws and fastenings systems which are considered special for the geometry and/or for the raw materials. They are studied and developed in cooperation with customers to offer them the best solutions both in terms of performance than rentability.



MAIN HEAD SHAPES



HEXAGON



HEXAGON FLANGE



CYLINDER



COUNTERSUNK



BUTTON



RECTANGULAR



HEXALOBULAR



MAIN RAW MATERIALS (WK)

AUSTENITIC

1.4301 / 1.4307 / 1.4567 / 1.4828 / 1.4845
1.4841 / 1.4401 / 1.4436 / 1.4404 / 1.4435
1.4436 / 1.4571 / 1.4541 / 1.4578 / 1.4539
1.4529

DUPLEX

1.4462

PH (precipitating hardening)

1.4980

FERRITIC

1.4006 / 1.4016 / 1.4028

MAIN THERMIC TREATMENTS

Annealing / Hardening / Tempering / Solubilization / Aging / Distension / Stabilization

MAIN SURFACE TREATMENTS

ANTICORROSION

Passivation / Geomet / Deltaseal / Delta protect / Zinc plating / Tin plating

LUBRICATION

Gleitmo / Torque n tension / Molycote

THREADLOCKING / THREADSEALING

Precote / Tuflok / Nycote / 3M Schotch grip / Dri-loc / Dri seal



CUSTOMIZED SCREWS ACCORDING DRAWING



CUSTOMIZE YOUR SCREW

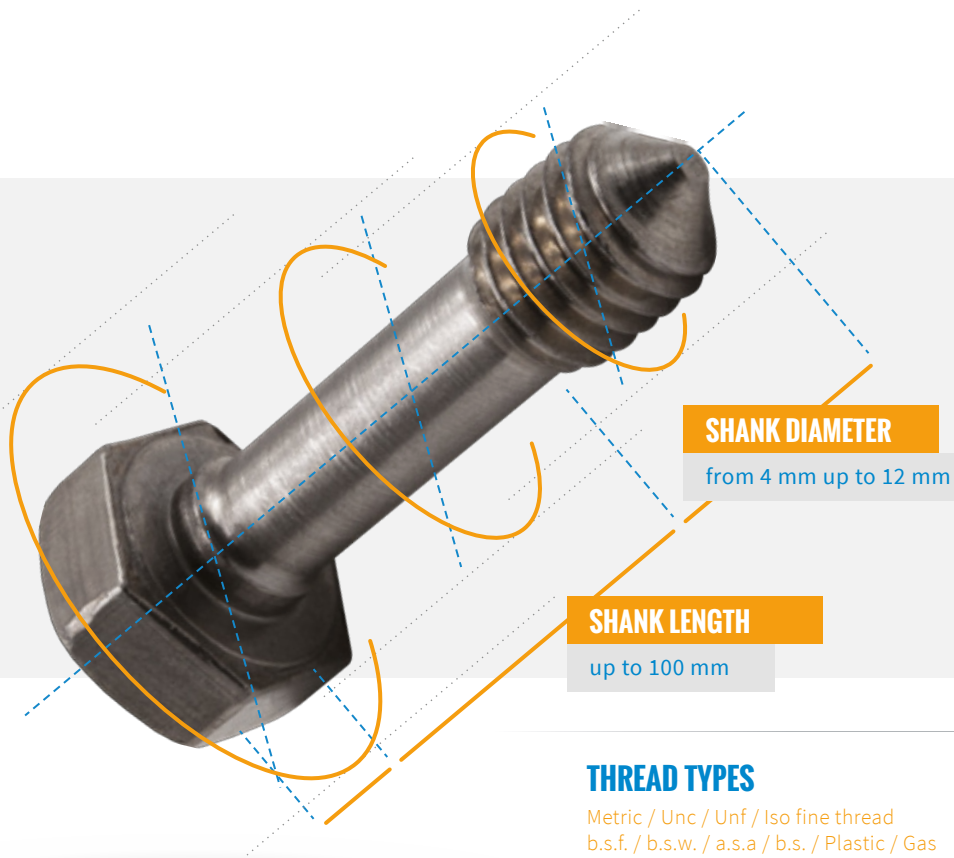
No "standard" part fits exactly to your needs?
Our in-house design, engineering and manufacturing resources are at your full disposal to offer the best solutions to satisfy your requests.

CONTACT US TODAY TO CUSTOMIZE YOUR PRODUCT!



MACHINED SCREWS

The items of this range are the result of the synergy between the economic competitiveness of the cold forging process and the flexibility and precision of the turning process. Compared to traditional bar production, the product is more replicable, has excellent mechanical properties, and, in cases where volumes increase, it is cheaper.



MAIN HEAD SHAPES



HEXAGON



HEXAGON FLANGE



CYLINDER



COUNTERSUNK



BUTTON



RECTANGULAR



HEXALOBULAR



MAIN RAW MATERIALS (WK)

AUSTENITIC

1.4301 / 1.4307 / 1.4567 / 1.4828 / 1.4845
1.4841 / 1.4401 / 1.4436 / 1.4404 / 1.4435
1.4436 / 1.4571 / 1.4541 / 1.4578 / 1.4539
1.4529

DUPLEX

1.4462

PH (precipitating hardening)

1.4980

FERRITIC

1.4006 / 1.4016 / 1.4028

MAIN THERMIC TREATMENTS

Annealing / Hardening / Tempering / Solubilization / Aging / Distension / Stabilization

MAIN SURFACE TREATMENTS

ANTICORROSION

Passivation / Geomet / Deltaseal / Delta protect / Zinc plating / Tin plating

LUBRICATION

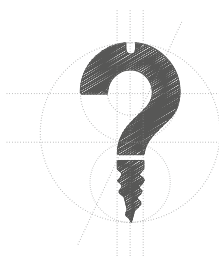
Gleitmo / Torque n tension / Molycote

THREADLOCKING / THREADSEALING

Precote / Tuflok / Nycote / 3M Schotch grip / Dri-loc / Dri seal



MACHINED SCREWS



CUSTOMIZE YOUR SCREW

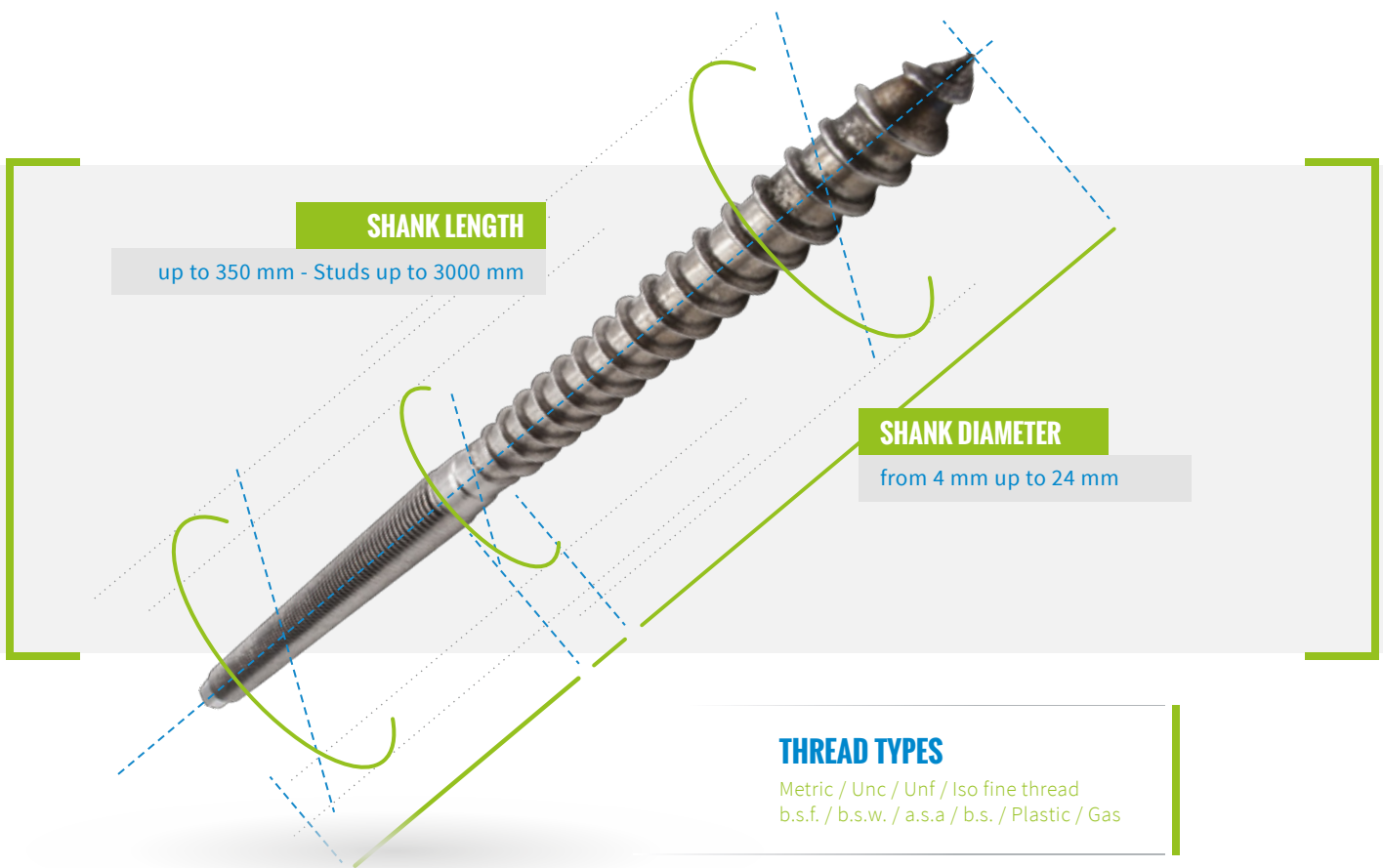
No "standard" part fits exactly to your needs?
Our in-house design, engineering and manufacturing resources are at your full disposal to offer the best solutions to satisfy your requests.

CONTACT US TODAY TO CUSTOMIZE YOUR PRODUCT!

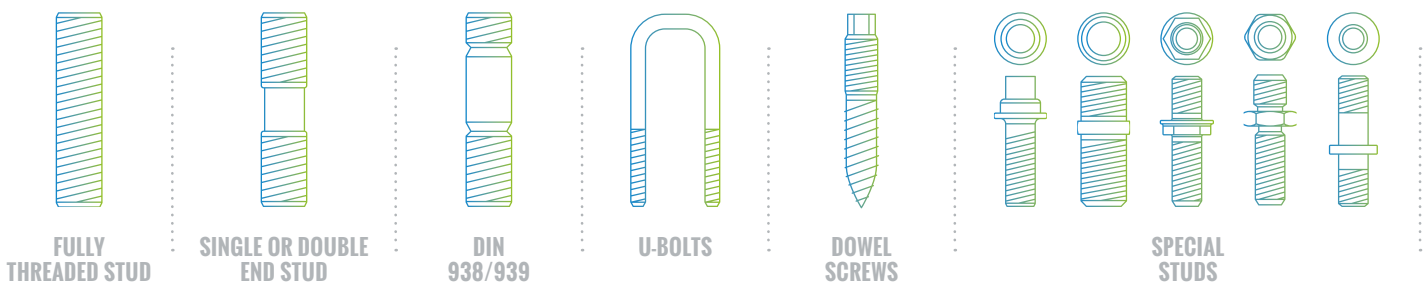


CUSTOMIZED STUDS - U-BOLTS - THREADED BOLTS

Thanks to the new device inaugurated in 2016 Leonix is able to supply fully, partially or double end threaded rods and welding studs starting directly from wire rods. This ensures faster deliveries and more competitive prices in compare to the traditional production starting from bar. This family of products includes also U-bolts, Dowel screws and customized studs with special geometries.



MAIN SHAPES



MAIN RAW MATERIALS (WK)

AUSTENITIC

1.4301 / 1.4307 / 1.4567 / 1.4828 / 1.4845
1.4841 / 1.4401 / 1.4436 / 1.4404 / 1.4435
1.4436 / 1.4571 / 1.4541 / 1.4578 / 1.4539
1.4529

DUPLEX

1.4462

PH (precipitating hardening)

1.4980

FERRITIC

1.4006 / 1.4016 / 1.4028

MAIN THERMIC TREATMENTS

Annealing / Hardening / Tempering / Solubilization / Aging / Distension / Stabilization

MAIN SURFACE TREATMENTS

ANTICORROSION

Passivation / Geomet / Deltaseal / Delta protect / Zinc plating / Tin plating

LUBRICATION

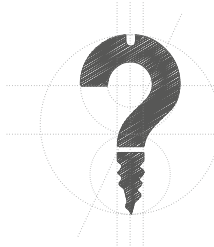
Gleitmo / Torque n tension / Molycote

THREADLOCKING / THREADSEALING

Precote / Tuflok / Nycote / 3M Schotch grip



**CUSTOMIZED STUDS
U-BOLTS - THREADED BOLTS**



**CUSTOMIZE
YOUR SCREW**

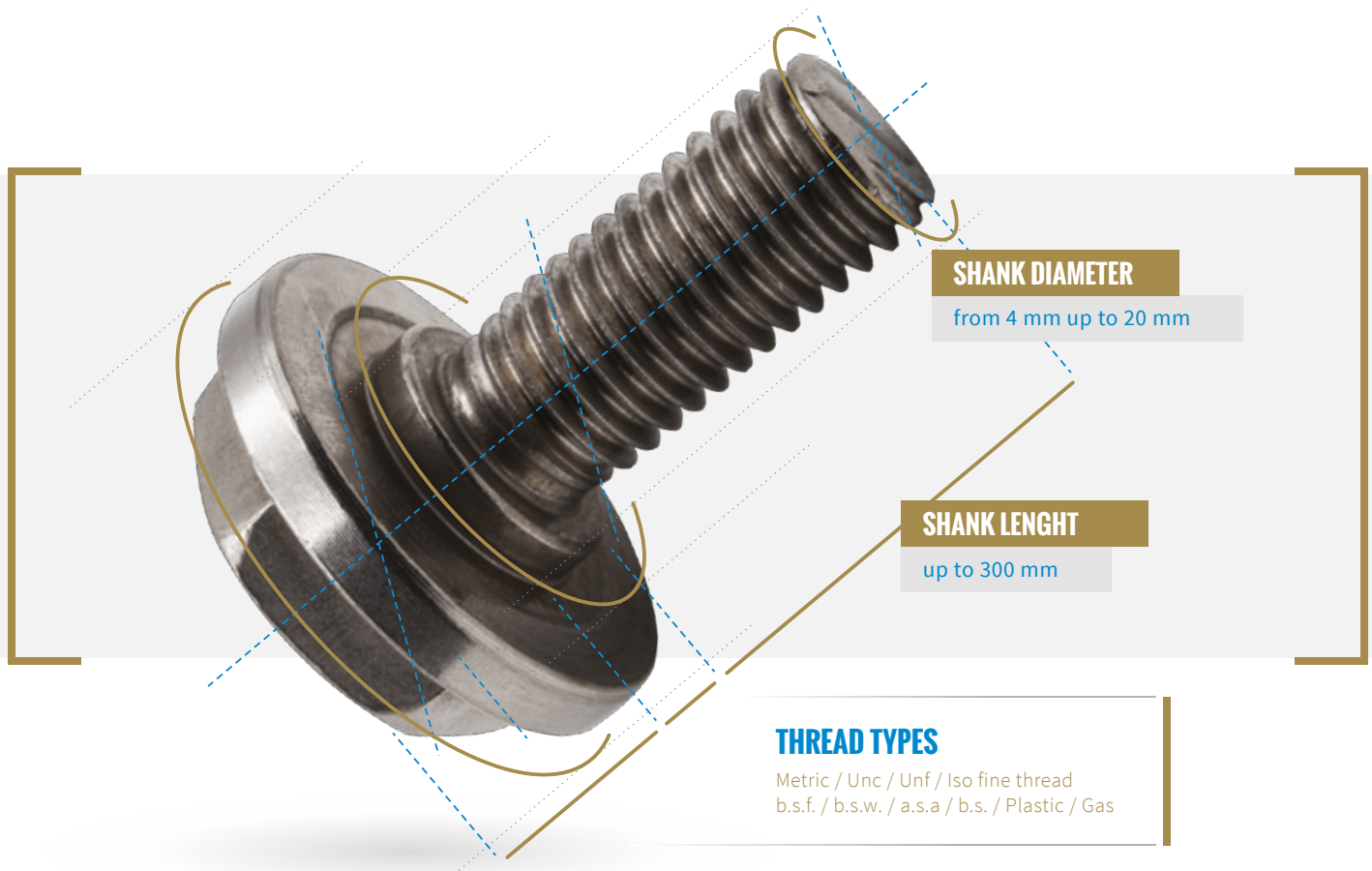
No "standard" part fits exactly to your needs?
Our in-house design, engineering and manufacturing resources are at your full disposal to offer the best solutions to satisfy your requests.

CONTACT US TODAY TO CUSTOMIZE YOUR PRODUCT!



STANDARD COMPARABLE SCREWS

It deals with items that are similar to DIN/ISO screws, but that are customized in some of their parts like, for instance, the special alloys, the head size, the head mark, the thread length, the thread end shape, the tolerances etc.



MAIN HEAD SHAPES



HEXAGON



HEXAGON FLANGE



CYLINDER



COUNTERSUNK



BUTTON



RECTANGULAR



HEXALOBULAR



MAIN RAW MATERIALS (WK)

AUSTENITIC

1.4301 / 1.4307 / 1.4567 / 1.4828 / 1.4845
1.4841 / 1.4401 / 1.4436 / 1.4404 / 1.4435
1.4436 / 1.4571 / 1.4541 / 1.4578 / 1.4539
1.4529

DUPLEX

1.4462

PH (precipitating hardening)

1.4980

FERRITIC

1.4006 / 1.4016 / 1.4028

MAIN THERMIC TREATMENTS

Annealing / Hardening / Tempering / Solubilization / Aging / Distension / Stabilization

MAIN SURFACE TREATMENTS

ANTICORROSION

Passivation / Geomet / Deltaseal / Delta protect / Zinc plating / Tin plating

LUBRICATION

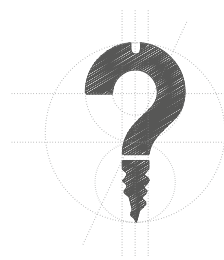
Gleitmo / Torque n tension / Molycote

THREADLOCKING / THREADSEALING

Precote / Tuflok / Nycote / 3M Schotch grip / Dri-loc / Dri seal



**STANDARD
COMPARABLE SCREWS**



**CUSTOMIZE
YOUR SCREW**

No "standard" part fits exactly to your needs?
Our in-house design, engineering and manufacturing resources are at your full disposal to offer the best solutions to satisfy your requests.

CONTACT US TODAY TO CUSTOMIZE YOUR PRODUCT!

